



3

Portelle e chiusini per serbatoi in cemento
Portes et trappes pour cuves ciment
Puertas y bocas superiores para tanques cemento
Lids for cements tanks

Art. 115CEM

Portella rettangolare
per cemento
apertura esterna

*Porte à sceller
rectangulaire
ouverture extèrieure*

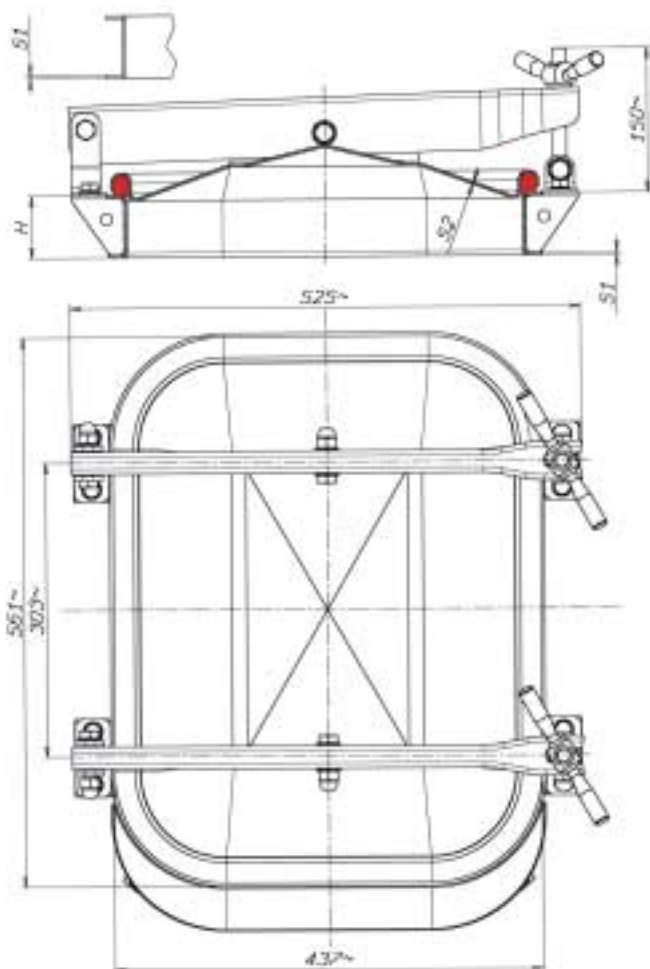
*Puerta exterior
rectangular
a empotrar*

*Rectangular lid for
mounting in concrete
vats outward opening*



Passaggio utile
Passage utile
Luz util de pasaje
Access

528 x 404 m/m



ART. REF.	INOX AISI	H m/m	S1 m/m	S2 m/m	P.MAX BAR
115CEM-4	304L	64	3	2,5	0,6
115CEM-6	316L	64	3	2,5	0,6

H = Altezza telaio in m/m S1 = Spessore telaio in m/m S2 = Spessore coperchio in m/m
 = Hauteur cadre en m/m = Epaisseur cadre en m/m = Epaisseur portillon en m/m
 = Altura marco en m/m = Espesor marco en m/m = Espesor portón en m/m
 = Loom height in m/m = Loom thickness in m/m = Cover thikness in m/m

Art. 121CEM

Portella rettangolare
per cemento
apertura esterna

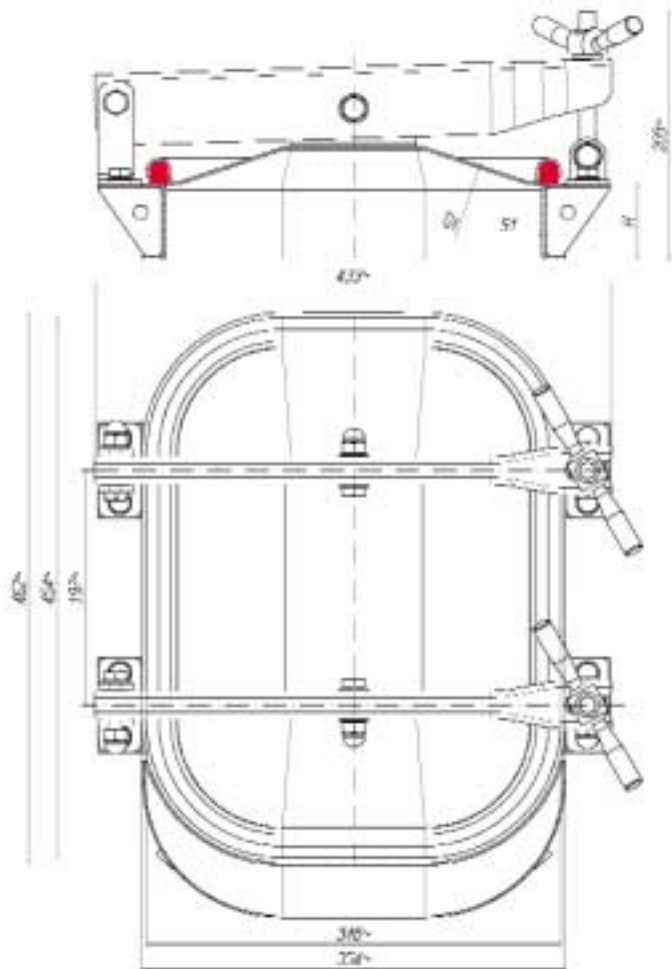
*Porte à sceller
rectangulaire
ouverture extèrieure*

*Puerta rectangular
a empotrar abertura
exterior*

*Rectangular lid for
mounting in concrete
vats outward opening*



Passaggio utile
Passage utile
Luz util de pasaje 424 x 316 m/m
Access



ART. REF.	INOX AISI	H m/m	S1 m/m	S2 m/m	P MAX BAR
121CEM-4	304	64	3	2	1
121CEM-6	316	64	3	2	1

H = Altezza telaio in m/m S1 = Spessore telaio in m/m S2 = Spessore coperchio in m/m
 = Hauteur cadre en m/m = Epaisseur cadre en m/m = Epaisseur portillon en m/m
 = Altura marco en m/m = Espesor marco en m/m = Espesor portón en m/m
 = Loom height in m/m = Loom thickness in m/m = Cover thickness in m/m

Art. 130CEM

Portella rettangolare
per cemento apertura
interna

*Porte à sceller
rectangulaire ouverture
intérieure*

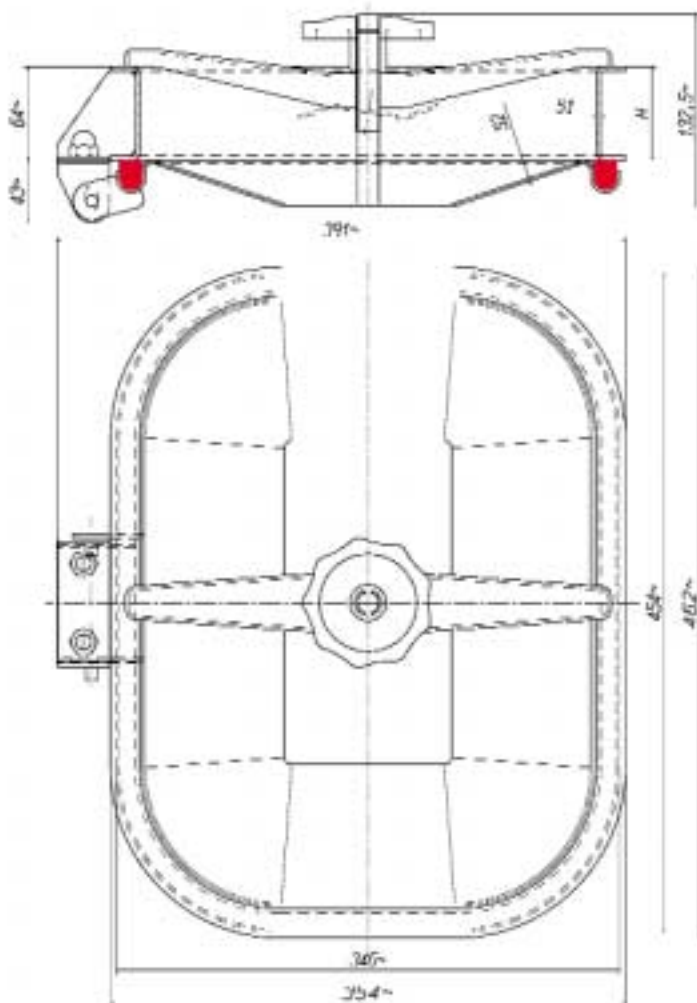
*Puerta rectangular a
empotrar abertura
interior*

*Rectangular lid for
mounting in concrete
vats inward opening*



Passaggio utile
Passage utile
Luz util de pasaje
Access

424 x 316 m/m



ART. REF.	INOX AISI	H m/m	S1 m/m	S2 m/m	P MAX BAR
130CEM-4	304L	64	3	2	1
130CEM-6	316L	64	3	2	1

H = Altezza telaio in m/m
= Hauteur cadre en m/m
= Altura marco en m/m
= Loom height in m/m

S1 = Spessore telaio in m/m
= Epaisseur cadre en m/m
= Espesor marco en m/m
= Loom thickness in m/m

S2 = Spessore coperchio in m/m
= Epaisseur portillon en m/m
= Espesor portón en m/m
= Cover thickness in m/m

Art. 127CEM

Portella ovale per
cemento apertura
interna

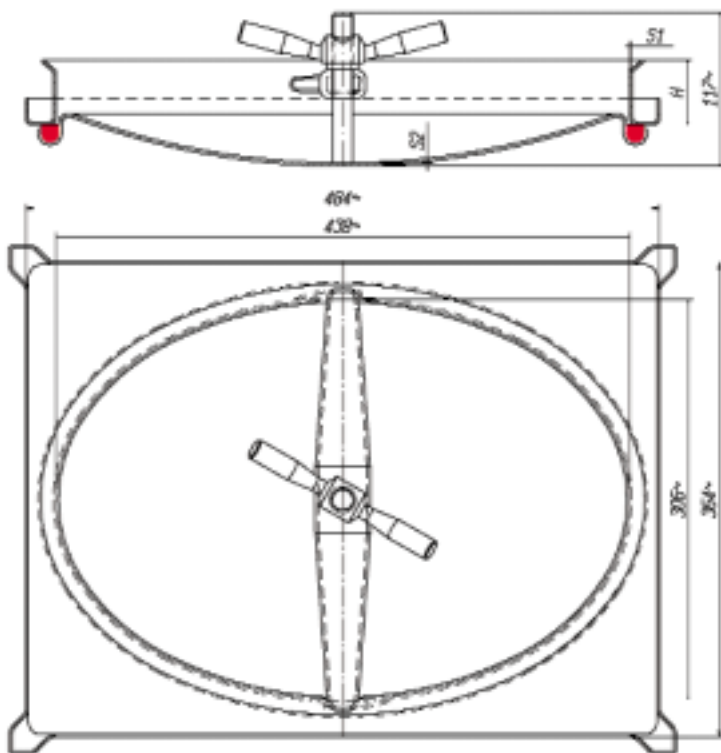
*Porte à sceller ovale
ouverture intérieure*

*Puerta ovalada a
empotrar abertura
interior*

*Oval lid for mounting
in concrete vats
inward opening*

Passaggio utile
Passage utile
Luz util de pasaje
Access

438 x 306 m/m



ART. REF.	INOX AISI	H m/m	S1 m/m	S2 m/m	P.MAX BAR
127CEM-4	304L	50	2	2	3
127CEM-6	316L	50	2	2	3

H = Altezza telaio in m/m
= Hauteur cadre en m/m
= Altura marco en m/m
= Loom height in m/m

S1 = Spessore telaio in m/m
= Epaisseur cadre en m/m
= Espesor marco en m/m
= Loom thickness in m/m

S2 = Spessore coperchio in m/m
= Epaisseur portillon en m/m
= Espesor portón en m/m
= Cover thickness in m/m

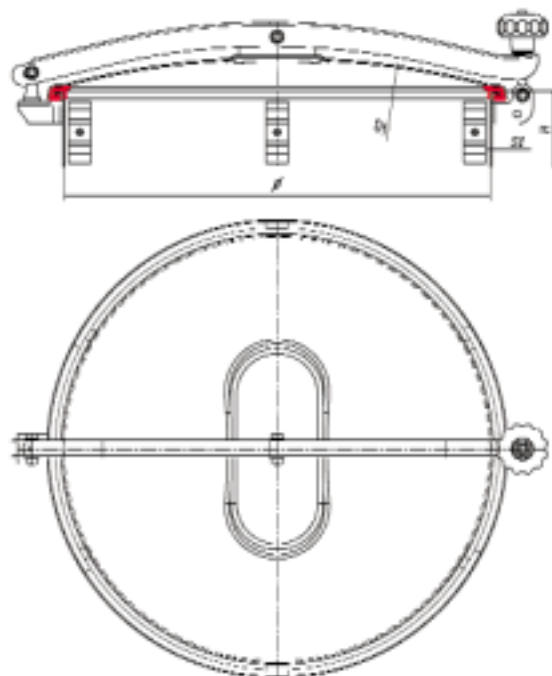
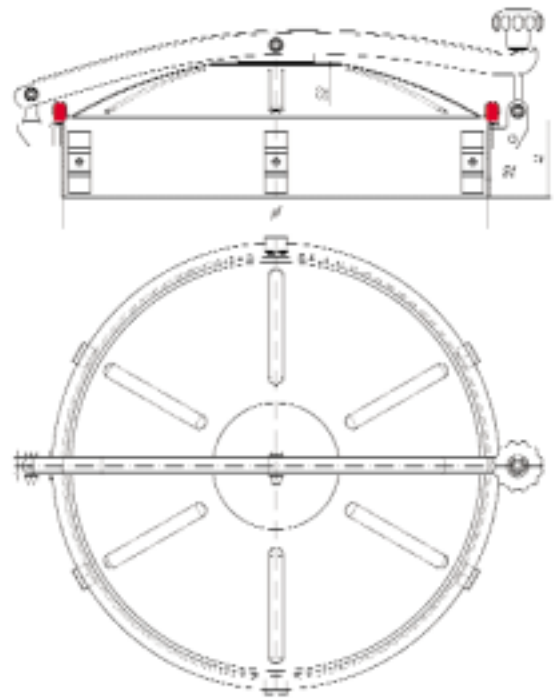
Art. CEM

Tutti i chiusini inox sono adattabili per cemento. Per dimensioni vedere catalogo chiusini inox

Tous les trappes inox sont adaptables pour ciment. Voir catalogue trappes

Todas las bocas son adaptables para el cemento. Ver catalogo para las diversas dimensiones

All the stainless steel lids are adaptable for concrete vats. For the measures see catalogue at the voice stainless steel lids



Art. CEM

Tutti i chiusini inox sono adattabili per cemento. Per dimensioni vedere catalogo chiusini inox

Tous les trappes inox sont adaptables pour ciment. Voir catalogue trappes

Todas las bocas son adaptables para el cemento. Ver catalogo para las diversas dimensiones

All the stainless steel lids are adaptable for concrete vats. For the measures see catalogue at the voice stainless steel lids

